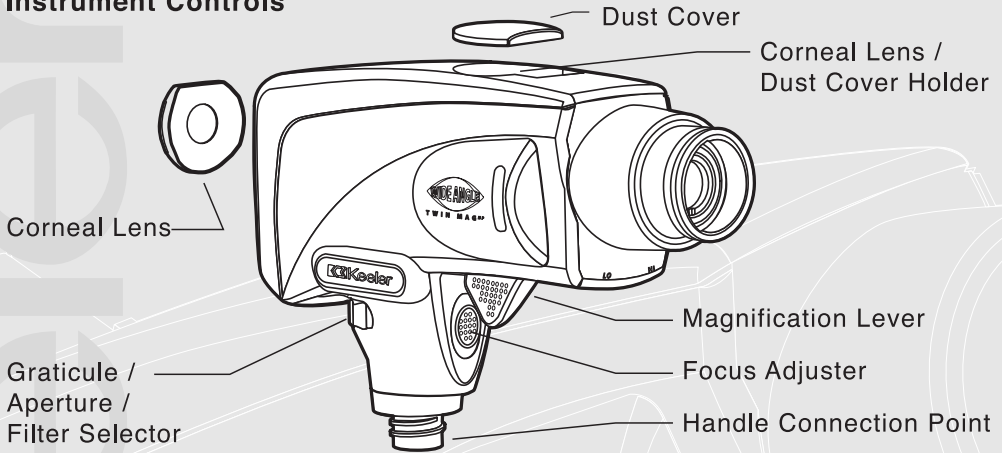


# Wide Angle Twin Mag<sup>NP</sup> Ophthalmoscope Quickstart Instructions



## 1 Instrument Controls



## 2 Focus

Set the Magnification Lever to LO and select the small or intermediate aperture by rotating the Graticule / Aperture / Filter Selector. Look through the eyepiece and focus the instrument on an object by sliding the Focus Adjuster up or down.



## 3 Position

Position yourself at approx 0.6 metre / 2 feet. View the patient's eye along the visual axis. The red reflex will become apparent.



Move towards the patient and if necessary refocus the instrument on any fundal detail - the optic disc and its surroundings will be in the field of view.



#### 4 Viewing the Retina

As you move closer, the field of view will increase and will be at its maximum when you are 15mm / 1/2 inch from the patient's cornea. At this point the retinal image seen will be reflex free. Position your hand on the patient's forehead to steady the instrument.

The large 25° field of view is ideal for general examinations and provides 15x retinal magnification.

Flip the magnification lever to HI to view the 17.5° view of the retina.

The 17.5° field of view is ideal for increased disc and macula detail and provides 22.5x retinal magnification.

Refer to Keeler Instruction Manuals CD (Part No. 2415-P-7000) for full instructions.

